

CERTIFIED COPY OF ORDER

STATE OF MISSOURI

} ea.

May Session of the January Adjourned

Term. 20 26

County of Boone

In the County Commission of said county, on the

12th

day of May

20 26

the following, among other proceedings, were had, viz:

Now on this day, the County Commission of the County of Boone does hereby approve the attached Budget Amendment for IT to increase the budget for Boone's network related hardware and software renewals.

Done this 12th day of May 2026.

ATTEST:

Brianna L. Lennon, SEO
Brianna L. Lennon
Clerk of the County Commission

Kip Kendrick
Kip Kendrick
Presiding Commissioner

Justin Aldred
Justin Aldred
District I Commissioner

Janet M. Thompson
Janet M. Thompson
District II Commissioner

CERTIFIED COPY OF ORDER

STATE OF MISSOURI

} ea.

May Session of the January Adjourned

Term. 2026

County of Boone

In the County Commission of said county, on the

12th

day of May

20 26

the following, among other proceedings, were had, viz:

Now on this day, the County Commission of the County of Boone does hereby approve the attached Budget Amendment to increase Class 8 to cover the pay out to the George Spencer Scholarship Trust recipients.

Done this 12th day of May 2026.

ATTEST:

Brianna L. Lennon SEO
Brianna L. Lennon
Clerk of the County Commission

Kip Kendrick
Kip Kendrick
Presiding Commissioner

Justin Aldred
Justin Aldred
District I Commissioner

Jane M. Thompson
Jane M. Thompson
District II Commissioner

George Spencer Trust Scholarship

See corpus check below - this calculation makes sure that only investment income is being distributed

Grand Total	\$	812.88	
Rounding	\$	-	
Total Scholarship Amount	\$	812.88	
Scholarship Amount Per Recipient	\$	406.44	check total \$ 686.32

720/1000 Current Balance as of 04/27/2026 - see attached AS400 screen print	\$	33,212.89	
Corpus (will always remain the same)	\$	32,400.00	
Total available for distribution		812.89	
Rounding	\$	(0.01)	
Total 2025 Scholarship Amount	\$	812.88	
2025 Scholarship Amount Per Recipient	\$	406.44	check total \$ 812.88

** It is always the amount above 32,400 that is given to two scholarship recipients

Ledger Transaction Detail

Ledger Transaction Detail

Run on 04/27/26 by TRALISSA

Selection criteria
 Fund Equal to 720 And
 Account Equal to 1000 And
 Effective Date Is in the range 20250228 20260427

Transaction Code	Transaction ID	Effective Date	Posted Date	Description	Transaction Year	Transaction Number	Debit Amount	Credit Amount
40		20250228	20250501	02/28/2025 Overnight Interest	2025	59	\$ 13.43	0
40		20250228	20250501	02/28/2025 Interest Received	2025	60	\$ 42.25	0
40		20250331	20250529	03/31/2025 Overnight Interest	2025	89	\$ 13.60	0
40		20250331	20250529	03/31/2025 Interest Received	2025	90	\$ 42.99	0
40		20250331	20250529	03/31/2025 Capital Gains	2025	93	\$ 11.28	0
40		20250430	20250716	04/30/2025 Overnight Interest	2025	124	\$ 13.50	0
40		20250430	20250716	04/30/2025 Capital Gains	2025	127	\$ 9.19	0
40		20250430	20250716	04/30/2025 Interest Received	2025	128	\$ 54.11	0
40		20250531	20250728	05/31/2025 Overnight Interest	2025	145	\$ 14.00	0
40		20250531	20250728	05/31/2025 Interest Received	2025	146	\$ 34.95	0
40		20250531	20250728	05/31/2025 Capital Gains	2025	149	\$ 2.81	0
40		20250630	20250806	06/30/2025 Overnight Interest	2025	159	\$ 13.59	0
40		20250630	20250806	06/30/2025 Interest Received	2025	160	\$ 47.54	0
40		20250630	20250806	06/30/2025 Capital Gains	2025	163	\$ 8.12	0
40		20250731	20250903	07/31/2025 Overnight Interest	2025	185	\$ 14.28	0
40		20250731	20250903	07/31/2025 Interest Received	2025	186	\$ 38.63	0
40		20250731	20250903	07/31/2025 Capital Gains	2025	189	\$ 16.39	0
40		20250831	20250930	08/31/2025 Overnight Interest	2025	209	\$ 15.27	0
40		20250831	20250930	08/31/2025 Interest Received	2025	210	\$ 29.64	0
40		20250831	20250930	08/31/2025 Capital Gains	2025	213	\$ 4.67	0
40		20250930	20251103	09/30/2025 Overnight Interest	2025	233	\$ 13.78	0
40		20250930	20251103	09/30/2025 Interest Received	2025	234	\$ 64.36	0
40		20250930	20251103	09/30/2025 Capital Gains	2025	237	\$ 19.14	0
40		20251031	20251205	10/31/2025 Overnight Interest	2025	260	\$ 15.79	0
40		20251031	20251205	10/31/2025 Interest Received	2025	261	\$ 42.24	0
40		20251031	20251205	10/31/2025 Capital Gains	2025	264	\$ 11.70	0
40		20251130	20260128	11/30/2025 Overnight Interest	2025	297	\$ 16.79	0
40		20251130	20260128	11/30/2025 Interest Received	2025	298	\$ 38.19	0
40		20251130	20260128	11/30/2025 Capital Gains	2025	301	\$ 7.32	0
40		20251231	20260225	12/31/2025 Overnight Interest	2025	313	\$ 17.87	0
40		20251231	20260225	12/31/2025 Interest Received	2025	314	\$ 35.43	0
40		20251231	20260225	12/31/2025 Capital Gains	2025	317	\$ 6.16	0
40		20260131	20260326	01/31/2026 Overnight Interest	2026	64	\$ 15.71	0
40		20260131	20260326	01/31/2026 Interest Received	2026	65	\$ 14.84	0
40		20260131	20260326	01/31/2026 Capital Gains	2026	68	\$ 2.99	0
40		20260228	20260408	02/28/2026 Overnight Interest	2026	85	\$ 11.74	0
40		20260228	20260408	02/28/2026 Interest Received	2026	86	\$ 34.02	0
40		20260228	20260408	02/28/2026 Capital Gains	2026	89	\$ 4.57	0
							\$ 812.88	

Year	<u>2026</u>	Original Appropriation	<u>700.00</u>
Dept	<u>7200 GEORGE SPENCER TRUST</u>	Revisions	<u> </u>
Acct	<u>83150 SCHOLARSHIPS</u>	Original + Revisions	<u>700.00</u>
Fund	<u>720 GEORGE SPENCER TRUST</u>	Expenditures	<u> </u>
		Encumbrances	<u> </u>
Class/Account	<u>A ACCOUNT</u>	Actual To Date	<u> </u>
Account Type	<u>E EXPENSE</u>	Remaining Balance	<u>700.00</u>
Normal Balance	<u>D DEBIT</u>	Shadow Balance	<u>700.00</u>

Expenditures by Period

January	<u> </u>	July	<u> </u>
February	<u> </u>	August	<u> </u>
March	<u> </u>	September	<u> </u>
April	<u> </u>	October	<u> </u>
May	<u> </u>	November	<u> </u>
June	<u> </u>	December	<u> </u>

CERTIFIED COPY OF ORDER

STATE OF MISSOURI }
County of Boone } ea.

May Session of the January Adjourned

Term. 20 26

In the County Commission of said county, on the 12th day of May 20 26

the following, among other proceedings, were had, viz:

Now on this day, the County Commission of the County of Boone does hereby approve the attached Budget Amendment for Departments 2110/1190 for the transfer of the excess tax maintenance fund balance to the general fund per RSMo 52.317.

Done this 12th day of May 2026.

ATTEST:

Brianna L. Lennon *CEO*
Brianna L. Lennon
Clerk of the County Commission

Kip Kendrick
Kip Kendrick
Presiding Commissioner

Justin Aldred
Justin Aldred
District I Commissioner

Janet M. Thompson
Janet M. Thompson
District II Commissioner

Tax Maintenance Fund-- Determination of Transfer of Fund Balance to General Fund

	<u>2022</u>	<u>2023</u>	<u>2024</u>	<u>2025</u>	<u>2026</u>	<u>2027</u>	<u>2028</u>	<u>2029</u>	<u>2030</u>	<u>2031</u>
Fund Balance Dec 31,	\$ 328,080	330,658	421,077	424,519	-	-	-	-	-	-
Maximum Fund Balance	313,244	340,152	368,779	418,197	-	-	-	-	-	-
Amount to be Transferred	<u>14,836</u>	<u>(9,494)</u>	<u>52,298</u>	<u>6,322</u>	-	-	-	-	-	-
	Transferred	None	Transferred							

	<u>2021</u>	<u>2022</u>	<u>2023</u>	<u>2024</u>	<u>2025</u>	<u>2026</u>	<u>2027</u>	<u>2028</u>	<u>2029</u>	<u>2030</u>
Approved Budget (with final revisions) \$	626,487	680,304	737,558	836,394	-	-	-	-	-	-
50% Max Fund Balance (RSMo 52.317)	313,244	340,152	368,779	418,197	-	-	-	-	-	-

655,096.00*+
 34,965.00 +
 2,225.00 +
 1,200.00 +
 2,757.00 +
 20,645.00 +
 100,503.00 +
 9,000.00 +
 008
 835,334.00 *

2024 Budget
Dept 1150

GENLSCR BOONE GENERAL LEDGER INQUIRY MAIN SCREEN , 4/14/26 11:43:05
 Year, 2025 Opening Balance, 421,077.22
 Fund 211 COLLECTOR TAX MAINTENANCE FUND Actual, YTD, Credits, 379,810.81
 Acct, 2913 BEG FUND BAL (UNRESERVED) Actual, YTD, Debits, 376,369.28
 Account, Type, Q EQUITY
 Normal, Balance, C CREDIT Current, Balance, 424,518.75

Period	Debits	Credits	Current, Balance
January			421,077.22
February			421,077.22
March			421,077.22
April			421,077.22
May			421,077.22
June			421,077.22
July			421,077.22
August			421,077.22
September			421,077.22
October			421,077.22
November			421,077.22
December			421,077.22
Post Closing	376,369.28	379,810.81	424,518.75

F2=Key Scr F3=Exit F5=Ledger Transactions F7=Transactions

Year, 2025 Opening Balance _____
 Fund 211 COLLECTOR TAX MAINTENANCE FUND Actual, YTD, Credits, 376,680.90
 Acct, 2905 EXPENDITURE CONTROL Actual, YTD, Debits, 376,680.90
 Account, Type, Q EQUITY
 Normal, Balance, D DEBIT Current, Balance _____

Period	Debits	Credits	Current, Balance
January	<u>62,822.66</u>	_____	<u>62,822.66</u>
February	<u>17,601.16</u>	_____	<u>80,423.82</u>
March	<u>18,699.49</u>	_____	<u>99,123.31</u>
April	<u>21,413.28</u>	<u>170.15</u>	<u>120,366.44</u>
May	<u>26,367.99</u>	<u>141.47</u>	<u>146,592.96</u>
June	<u>18,901.72</u>	_____	<u>165,494.68</u>
July	<u>68,421.43</u>	_____	<u>233,916.11</u>
August	<u>50,628.96</u>	_____	<u>284,545.07</u>
September	<u>19,455.01</u>	_____	<u>304,000.08</u>
October	<u>21,994.28</u>	_____	<u>325,994.36</u>
November	<u>36,948.61</u>	_____	<u>362,942.97</u>
December	<u>13,426.31</u>	_____	<u>376,369.28</u>
Post Closing	_____	<u>376,369.28</u>	_____

F2=Key Scr F3=Exit F5=Ledger Transactions F7=Transactions

Year 2025 Opening Balance _____
 Fund 211 COLLECTOR TAX MAINTENANCE FUND Actual YTD Credits 572,352.59
 Acct. 2906 REVENUE CONTROL Actual YTD Debits 572,352.59
 Account Type Q EQUITY
 Normal Balance C CREDIT Current Balance _____

Period	Debits	Credits	Current Balance
January	<u>192,199.43</u>	<u>12,970.09</u>	<u>179,229.34-</u>
February	<u> </u>	<u>104,482.98</u>	<u>74,746.36-</u>
March	<u> </u>	<u>78,263.37</u>	<u>3,517.01</u>
April	<u> </u>	<u>42,085.40</u>	<u>45,602.41</u>
May	<u>342.35</u>	<u>30,598.99</u>	<u>75,859.05</u>
June	<u> </u>	<u>21,043.90</u>	<u>96,902.95</u>
July	<u> </u>	<u>17,734.23</u>	<u>114,637.18</u>
August	<u> </u>	<u>21,795.01</u>	<u>136,432.19</u>
September	<u> </u>	<u>18,637.53</u>	<u>155,069.72</u>
October	<u> </u>	<u>14,418.54</u>	<u>169,488.26</u>
November	<u> </u>	<u>10,306.48</u>	<u>179,794.74</u>
December	<u> </u>	<u>200,016.07</u>	<u>379,810.81</u>
Post Closing	<u>379,810.81</u>	<u> </u>	<u> </u>

F2=Key Scr F3=Exit F5=Ledger Transactions F7=Transactions

CERTIFIED COPY OF ORDER

STATE OF MISSOURI }
County of Boone } ea.

May Session of the January Adjourned

Term. 20 26

In the County Commission of said county, on the 12th day of May 20 26

the following, among other proceedings, were had, viz:

Now, on this day, the County Commission of the County of Boone does hereby approve Amendment #5 to Contract C000012 (02-25MAY16) with Summit Food Service, LLC for upgrades to the commissary kiosks and inmate tablets. The terms of the agreement are set out in the attached contract, and the Presiding Commissioner is authorized to sign the same.

Done this 12th day of May 2026.

ATTEST:

Brianna L. Lennon SEO
Brianna L. Lennon
Clerk of the County Commission

Kip Kendrick
Kip Kendrick
Presiding Commissioner

Justin Aldred
Justin Aldred
District I Commissioner

Janet M. Thompson
Janet M. Thompson
District II Commissioner

Boone County Purchasing

Amy Gerskin
Senior Buyer



5551 S. Tom Bass Rd.
Room 205
Columbia, MO 65201
Phone: (573) 886-4393
agerskin@boonemo.gov

April 30, 2026

TO: Boone County Commission
FROM: Amy Gerskin, Senior Buyer
RE: Amendment #5 to Contract C000012 (02-25MAY16) – Detainee
Commissary Goods and Services

Purchasing requests approval for Amendment #5 to contract C000012 from Request for Bid #02-25MAY16 for Detainee Commissary Goods and Services with Summit Food Service, LLC for the Boone County Jail. The original contract was established on August 17, 2017, through Commission Order 363-2017.

Amendment #5 is for upgrades to the current commissary kiosks and inmate tablets. TEAM software and equipment will be furnished and installed by Summit Food Services, LLC at no cost to the county. Upgraded tablets will be issued to inmates at a 1:1 ratio with the TEAM platform preloaded.

This is a Term & Supply contract which references accounts 7710 – Sheriff Inmate Trust and 1255 – GF Detention Operations. There is no encumbrance required for these upgrades.

c: Contract File



March 19th, 2026

Boone Adult Detention Center
Captain Jenny Atwell
2121 E County Dr.
Columbia MO, 65202

Captain Atwell,

Summit Correctional Services would like to formally propose a software upgrade for the Boone Adult Detention Center to replace the current Lockdown inmate banking system. The proposed solution, TEAM, is a fully web-based platform designed to enhance efficiency, accessibility, and overall user experience for both staff and inmates. TEAM software and equipment is subcontracted by Summit similarly to the current TechFriends software and equipment arrangement.

This upgrade will provide an improvement to our existing service on the current contracted scope of work and will be at **no cost to Boone County**.

Under this proposal, Boone County would receive:

- A new, web-based inmate banking software system
- Inmate tablets issued at a **1:1 ratio** (one tablet per inmate)
- Access to the full Project Gutenberg digital library, offering more than 75,000 eBooks.
- Secure messaging capabilities for communication with friends and family
- Additional entertainment features, including movies and music.
- All future software upgrades, scheduled maintenance and new features are at no cost to Boone County.

The current video visitation system will remain in place and continue to operate through the pod kiosks.

To support the new tablets and software, the following equipment installations will be required:

- Tablet charging stations
- Updated network switches and wireless access points
- A new lobby kiosk
- New PCs for all pod kiosks
- Upgraded higher speed internet service
- All electrical or data cabling changes will be at not cost to Boone County.

Summit Correctional Services appreciates your consideration and looks forward to the opportunity to enhance the technological resources available within the Boone Adult Detention Center.

Best Regards,

BRIAN CLARK
Vice President - Commissary Operations

[MY ACCOUNT](#)[HOME](#)[SEARCH](#)[MISC INFO](#)[UCC FILING](#)[Help](#)

Limited Liability Company Details as of 4/28/2026

Required Field *

To File Documents - select the filing from the "Create Filing" list, then click FILE ONLINE.

To terminate an entity two documents are required:

General Business and Nonprofit - Articles of Dissolution followed by Articles of Termination

Limited Liability Companies - Notice of Winding up followed by Articles of Termination

File Registration Reports - click FILE REGISTRATION REPORT.

Copies or Certificates - click ORDER COPIES/CERTIFICATES.

[RETURN TO
SEARCH RESULTS](#)[Create Filing](#)[FILE
ONLINE](#)

Amended Certificate of Registration of a Foreign LLC

[ORDER COPIES/
CERTIFICATES](#)

General Information

Filings

Principal Office Address

Name	Summit Food Service, LLC	Principal Office Address	2703 Broadbent Parkway Suite F Albuquerque, NM 87017
Type	Limited Liability Company	Charter No.	FL001418530
Domesticity	Foreign	Home State	NM
Registered Agent	<u>CORPORATE CREATIONS NETWORK INC.</u> 12747 Olive Boulevard, #300 St. Louis, MO 63141	Status	Active
Date Formed	12/16/2016		
Duration	Perpetual		

The information contained on this page is provided as a public service, and may change at any time. The State, its employees, contractors, subcontractors or their employees do not make any warranty, expressed or implied, or assume any legal liability for the accuracy, completeness or usefulness of any information, apparatus, product or process disclosed or represent that its use would not infringe on privately-owned rights.



Subcontracting Plan Reporting Contract Retrieval Issue Show Details
Apr 17, 2026



See All Alerts

Contract Awards Scheduled Maintenance Show Details
Apr 27, 2026



Home Search Data Bank Data Services Help

Search

All Words

e.g. 1606N020Q02

Filter By

Keyword Search

For more information on how to use our keyword search, visit our help guide

Simple Search

Search Editor

- Any Words ⁱ
- All Words ⁱ
- Exact Phrase ⁱ

e.g. 123456789, Smith Corp

"Summit Food Service, LLC" x

Classification v

Excluded Individual v

Excluded Entity ^

Entity Name

e.g. ABC Inc v

Summit Food Service, LLC x

Unique Entity ID

e.g. HTYR9YJHK65L v

CAGE / NCAGE

**CONTRACT AMENDMENT NUMBER FIVE
DETAINEE COMMISSARY GOODS AND SERVICES
FOR THE BOONE COUNTY JAIL**

The Agreement, **County Contract C000012**, from Boone County Request for Proposal number **02-25MAY16**, and contract Assignment, dated June 10, 2021, made by and between Boone County, Missouri and **Summit Food Service, LLC** for and in consideration of the performance of the respective obligations of the parties set forth herein, is amended as follows:

1. **REPLACE:** Amendment #5 allows Summit Food Service, LLC to replace the current Lockdown inmate banking system with TEAM. Summit Food Service, LLC will furnish inmate tablets, pre-loaded with the upgraded TEAM software as detailed in **Amendment Five – Attachment 1 at no cost to the county.**
2. Except as specifically amended hereunder, all other terms, conditions and provisions of the original agreement shall remain in full force and effect.

IN WITNESS WHEREOF the parties, through their duly authorized representatives, have executed this agreement on the day and year first above written.

SUMMIT FOOD SERVICE, LLC

BOONE COUNTY, MISSOURI

by: Boone County Commission

by DocuSigned by:
Travis Peterson
8D96D5AB98D54BC...

title Director Of Commissary East Region

Signed by:
Kip Kendrick
2B83ECDD7F6E4A6...

Kip Kendrick, Presiding Commissioner

APPROVED AS TO FORM:

ATTEST:

DocuSigned by:
CJ Dykhouse
7D71DEAEB9D74DD...

CJ Dykhouse, County Counselor

Signed by:
Brianna L. Lennon
242B827B32F14BF...

Brianna L. Lennon, County Clerk

AUDITOR CERTIFICATION: In accordance with RSMo 50.660, I hereby certify that a sufficient unencumbered appropriation balance exists and is available to satisfy the obligation(s) arising from this contract. (Note: Certification of this contract is not required if the terms of this contract do not create a measurable county obligation at this time.)

DocuSigned by:
Kybe Riemer
by *JF*
8C24BD84EE7A483...

Signature

4/30/2026

Date

No Encumbrance Required

Appropriation Account



March 19th, 2026

Boone Adult Detention Center
Captain Jenny Atwell
2121 E County Dr.
Columbia MO, 65202

Captain Atwell,

Summit Correctional Services would like to formally propose a software upgrade for the Boone Adult Detention Center to replace the current Lockdown inmate banking system. The proposed solution, TEAM, is a fully web-based platform designed to enhance efficiency, accessibility, and overall user experience for both staff and inmates. TEAM software and equipment is subcontracted by Summit similarly to the current TechFriends software and equipment arrangement.

This upgrade will provide an improvement to our existing service on the current contracted scope of work and will be at **no cost to Boone County.**

Under this proposal, Boone County would receive:

- A new, web-based inmate banking software system
- Inmate tablets issued at a **1:1 ratio** (one tablet per inmate)
- Access to the full Project Gutenberg digital library, offering more than 75,000 eBooks.
- Secure messaging capabilities for communication with friends and family
- Additional entertainment features, including movies and music.
- **All future software upgrades, scheduled maintenance and new features are at no cost to Boone County.**

The current video visitation system will remain in place and continue to operate through the pod kiosks.

To support the new tablets and software, the following equipment installations will be required:

- Tablet charging stations
- Updated network switches and wireless access points
- A new lobby kiosk
- New PCs for all pod kiosks
- Upgraded higher speed internet service
- **All electrical or data cabling changes will be at not cost to Boone County.**

Summit Correctional Services appreciates your consideration and looks forward to the opportunity to enhance the technological resources available within the Boone Adult Detention Center.

Best Regards,

BRIAN CLARK
Vice President - Commissary Operations



303.931.7441

brian.clark@summitfoodservice.com

4

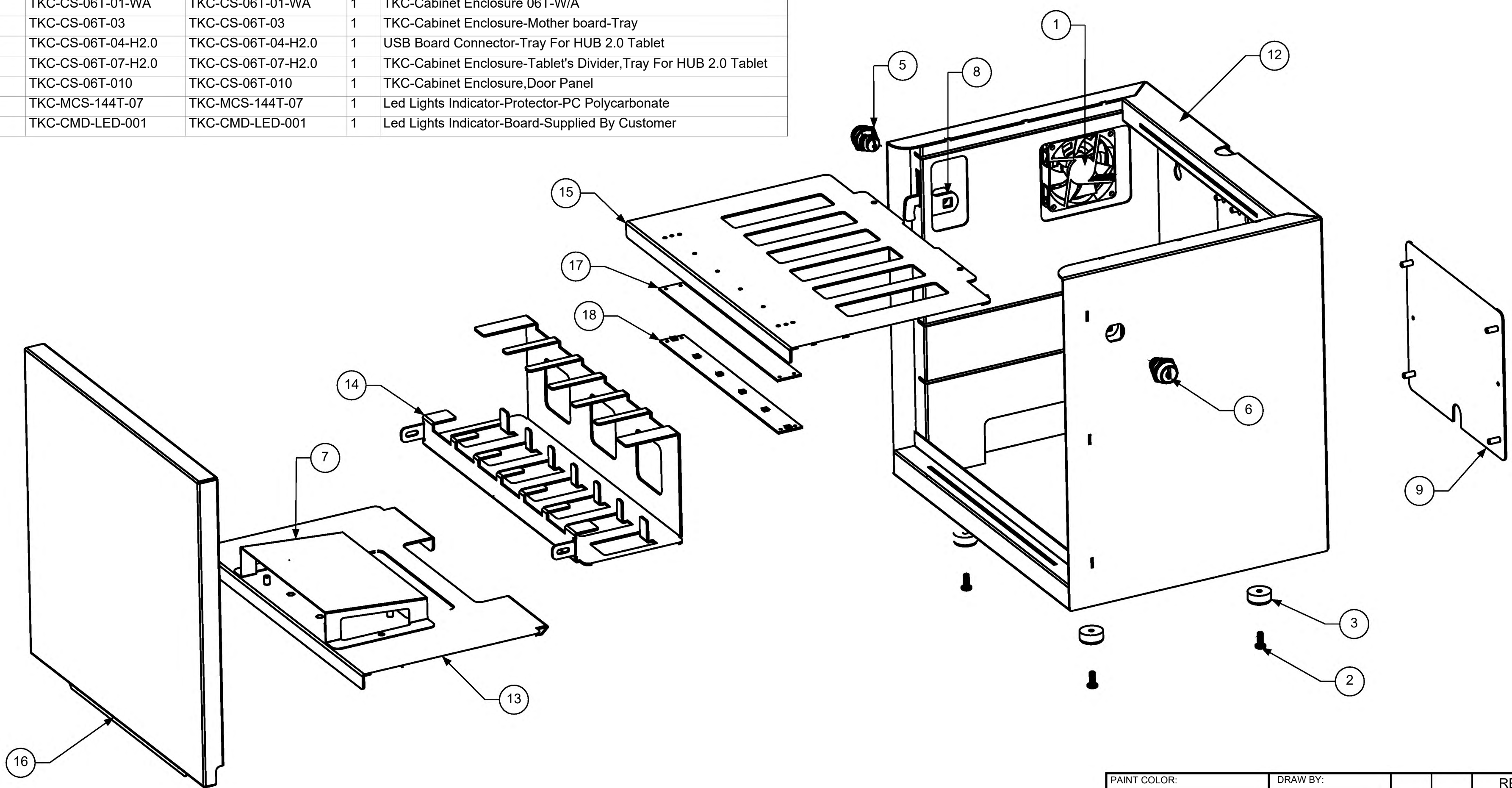
3

2

1

REVISION HISTORY				
REV	BY	DESCRIPTION	DATE	APPROVED

Item No.	PartName	Part Number	Qty	Description
1	MCM-8774N11	Supplied By Customer	1	12V DC, Wire Leads, 2.76" Square x 0.59" Deep Overall, 19 CFM
2	MMC#90272A829	MMC#90272A829	4	10/32 X 1/2 Phillips Screw-Supplied By Customer
3	MCM#9540K48	MCM#9540K48	4	RUBBER BUMPER
4	10/32 Hex Nut	10/32 Hex Nut	4	Hex Nut With Lock Washer-Supplied By Customer
5	CM-2-1C109-2SB	CM-2-1C109-2SB	1	Counter-Clockwise Lock Cam
6	CM-2-1C101-2SB	CM-2-1C101-2SB	1	Clockwise Lock Cam
7	TKC-CS-12T-08-Rev A	TKC-CS-12T-08-Rev A	1	TKC-Cabinet Enclosure-Mother board,Shield
8	TKC-CS-12T-09	TKC-CS-12T-09	2	Cam Lock-Latch-11ga. G'neal
9	TKC-CS-12T-012	TKC-CS-12T-012	1	TKC-Cabinet Enclosure-12T-Power Access Cover Plate
10	TKC-CS-12T-013	TKC-CS-12T-013	1	Top Slot,Cover Bracket
11	TKC-CS-12T-014	TKC-CS-12T-014	1	Bottom Slot,Cover Bracket
12	TKC-CS-06T-01-WA	TKC-CS-06T-01-WA	1	TKC-Cabinet Enclosure 06T-W/A
13	TKC-CS-06T-03	TKC-CS-06T-03	1	TKC-Cabinet Enclosure-Mother board-Tray
14	TKC-CS-06T-04-H2.0	TKC-CS-06T-04-H2.0	1	USB Board Connector-Tray For HUB 2.0 Tablet
15	TKC-CS-06T-07-H2.0	TKC-CS-06T-07-H2.0	1	TKC-Cabinet Enclosure-Tablet's Divider,Tray For HUB 2.0 Tablet
16	TKC-CS-06T-010	TKC-CS-06T-010	1	TKC-Cabinet Enclosure,Door Panel
17	TKC-MCS-144T-07	TKC-MCS-144T-07	1	Led Lights Indicator-Protector-PC Polycarbonate
18	TKC-CMD-LED-001	TKC-CMD-LED-001	1	Led Lights Indicator-Board-Supplied By Customer



UNLESS OTHERWISE SPECIFIED DIM ARE IN INCHES TOL ON ANGLE ±.XX° 2 PL ±.XX 3 PL .XXX INTERPRET DIM AND TOL PER ASME Y14.5M - 1994	PAINT COLOR: TEXT OCEAN BLUE	DRAW BY: <i>Jorge Hdez.</i>	REV SH	REV STATUS
	1370 WEBER INDS. DR CUMMING GA. 30041	TELCOM MARKETING, Inc.		
THIRD ANGLE PROJECTION 	TITLE: TKC-CS-6 Position Tablet H2.0-Charging Station			
Material:	SIZE C	DWG. DATE: 12-30-24	DWG. NO. TKC-CS-06T-ASM	REV ?
SCALE			SHEET	

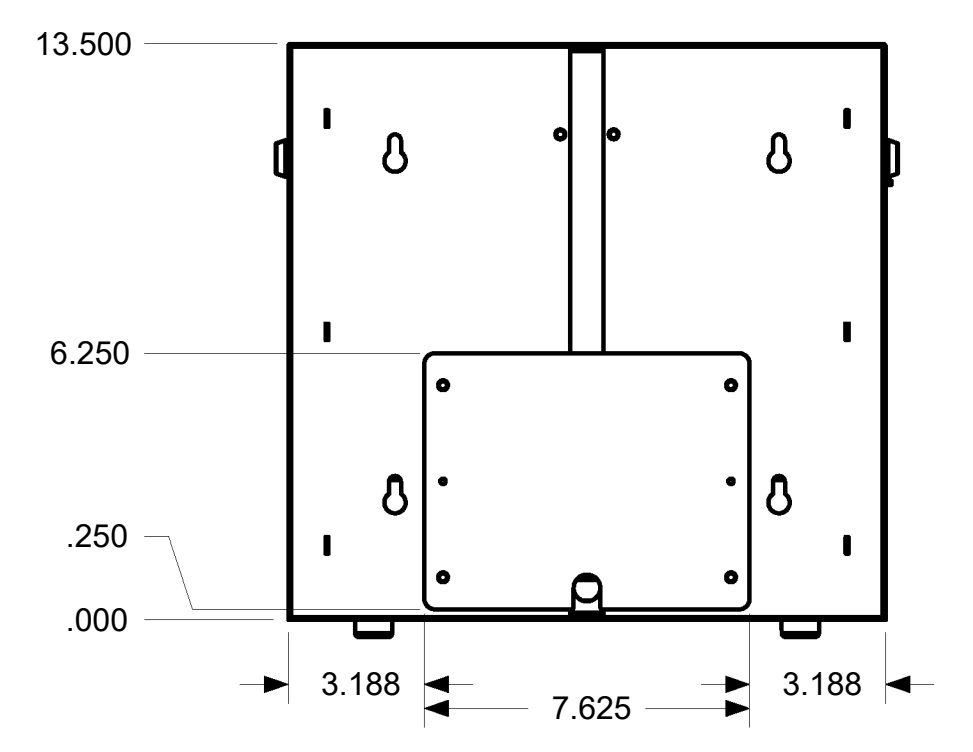
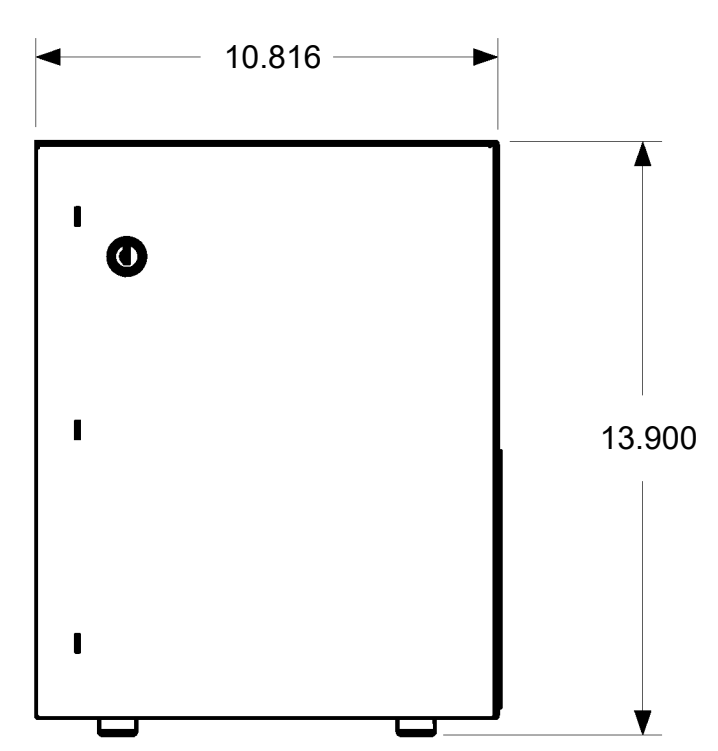
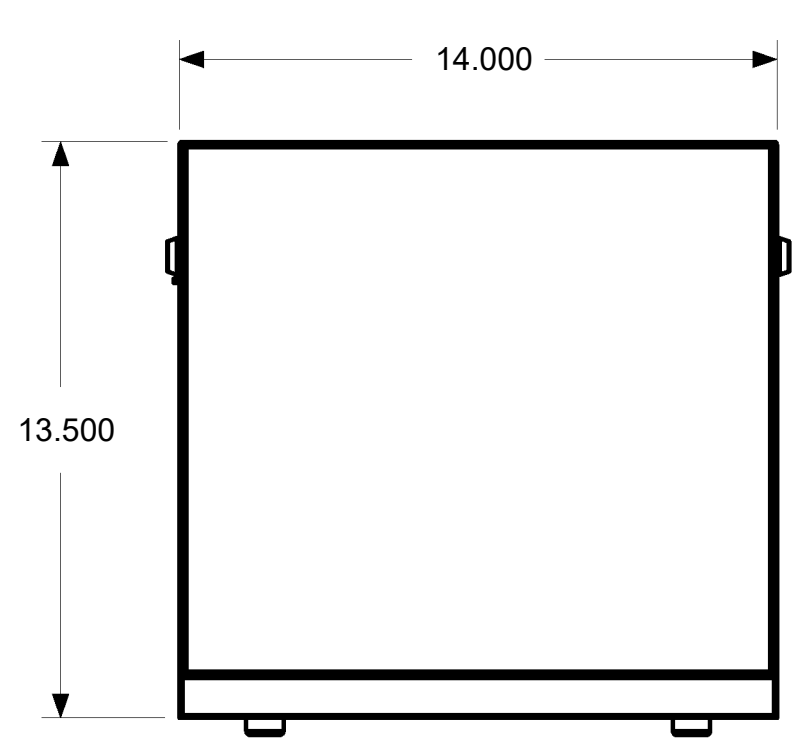
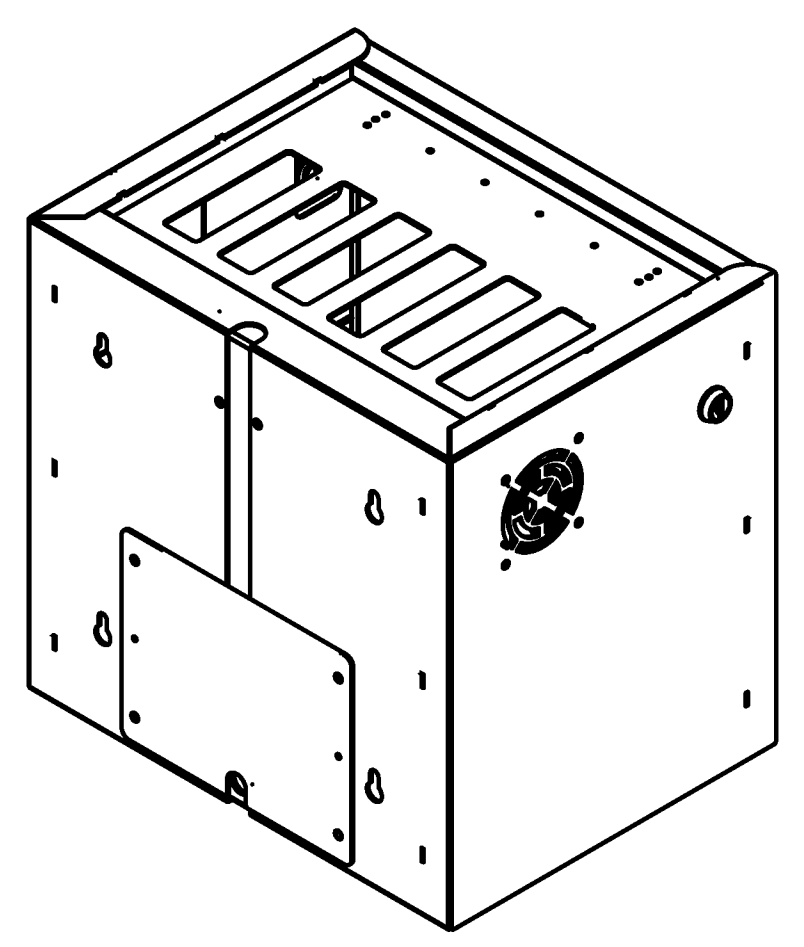
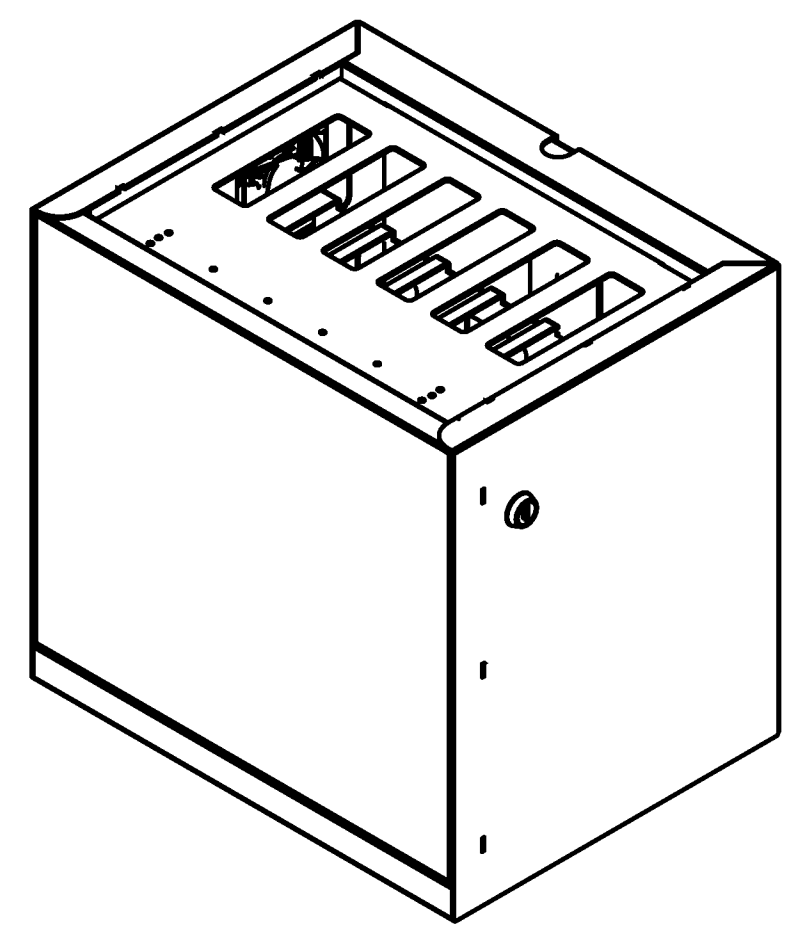
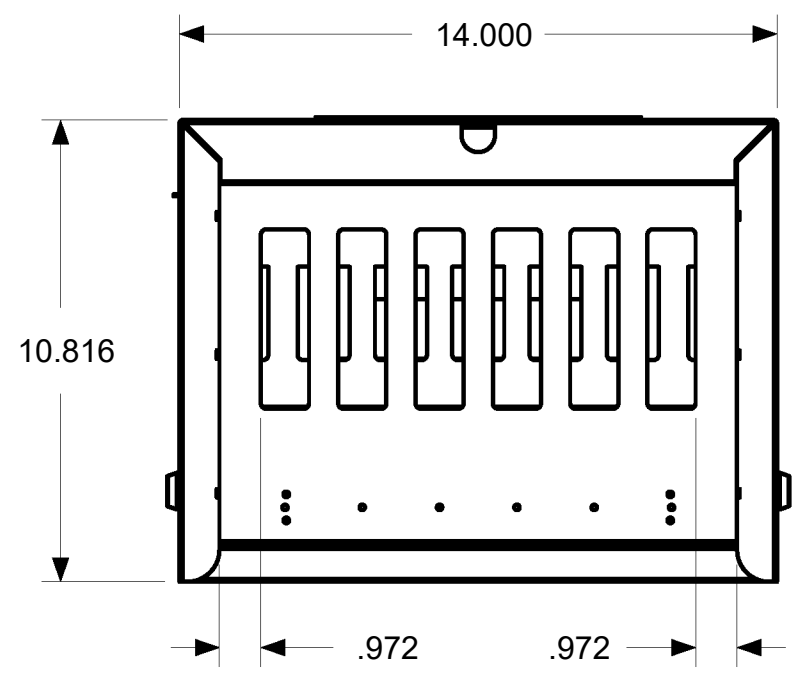
4

3

2

1

REVISION HISTORY				
REV	BY	DESCRIPTION	DATE	APPROVED



UNLESS OTHERWISE SPECIFIED
DIM ARE IN INCHES
TOL ON ANGLE ±.XX°
2 PL ±.XX 3 PL .XXX
INTERPRET DIM AND TOL PER
ASME Y14.5M - 1994

THIRD ANGLE PROJECTION

PAINT COLOR: TEXT OCEAN BLUE		DRAW BY: <i>Jorge Hdez.</i>		REV	REV
				SH	STATUS
TELCOM MARKETING, Inc.					
TITLE: TKC-CS-6 Position Tablet H2.0- Charging Station					
SIZE	DWG. DATE:	DWG. NO.		REV	
C	12-30-24	TKC-CS-06T-ASM		?	
SCALE				SHEET	

D

C

B

A

D

C

B

A

4

3

2

1

4

3

2

1

CERTIFIED COPY OF ORDER

STATE OF MISSOURI

} ca.

May Session of the January Adjourned

Term. 20 26

County of Boone

In the County Commission of said county, on the

12th

day of May

20 26

the following, among other proceedings, were had, viz:

Now on this day, the County Commission of the County of Boone does hereby approve the award Contract C001130 (MC260035009) - 2026 Chevrolet Silverado 1500 for the Boone County Road & Bridge Department. The contract is set out in the attached, and the Presiding Commissioner is authorized to sign the same.

Done this 12th day of May 2026.

ATTEST:

Brianna L. Lennon
Brianna L. Lennon
Clerk of the County Commission

Kip Kendrick
Kip Kendrick
Presiding Commissioner

Justin Aldred
Justin Aldred
District I Commissioner

Janet M. Thompson
Janet M. Thompson
District II Commissioner

Boone County Purchasing

Brijanna Purdy
Buyer



5551 S. Tom Bass Rd.
Room 206
Columbia, MO 65201
Phone: (573) 886-4394
bpurdy@boonemo.gov

MEMORANDUM

TO: Boone County Commission
FROM: Brijanna Purdy
DATE: April 30, 2026
RE: **Cooperative Contract Award** – C001130 from MC260035009 –
*New Motor Vehicles QVL – for a New 2026 Chevrolet Silverado
1500 through EMAG Lebanon CH LLC DBA Ed Morse Chevrolet
Lebanon*

The Boone County Purchasing Department requests permission to utilize the State of Missouri QVL #MC260035009 – New Motor Vehicles with EMAG Lebanon CH LLC DBA Ed Morse Chevrolet Lebanon to purchase one (1) new 2026 Chevrolet Silverado 1500 4WD Crew Cab 157" LT for the Road & Bridge Department. Quotes were solicited from each of the 15 dealerships listed on the QVL's Medium Duty Vehicles category list. Three responses were received. The Boone County Road & Bridge Department recommends an award to EMAG Lebanon CH LLC for providing the lowest and best quote.

The Boone County contract number is C001130. Total cost of this purchase is \$50,222.00.

The Purchasing Department requests permission to dispose of the following surplus:

- 2018 Chevrolet 4WD Double Cab – Tag #22887

This purchase will be paid by department 2040 – R&B Road Maintenance & account 92400 – Replacement Auto/Trucks with a budget of \$60,000.00.

cc: Robert Sapp – Road and Bridge Department
Contract File

BOONE COUNTY
Request for Disposal/Transfer of County Property
Complete, sign, and return to Auditor's Office

Date: 3-20-2026

Fixed Asset Tag Number: 22887

Description of Asset: 2018 Chevrolet 4wd double cab

Requested Means of Disposal: Sell Trade-In Recycle/Trash Other, Explain:

Other Information (Serial number, etc.): 1GCVKREC2JZ347835

Condition of Asset: Fair

Reason for Disposition: Scheduled replacement

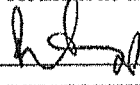
Location of Asset and Desired Date for Removal to Storage: R&B tom Bass(Ready for disposal 4 weeks after replacement arrives))

Was asset purchased with grant funding? YES NO

If "YES", does the grant impose restriction and/or requirements pertaining to disposal? YES NO

If yes, attach documentation demonstrating compliance with the agency's restrictions and/or requirements.

Dept Number & Name: 2040 Road & Bridge

Signature 

To be Completed by: AUDITOR

Original Acquisition Date 5/31/18

G/L Account for Proceeds 2040-3835 J

Original Acquisition Amount 31,342.00

Original Funding Source 2741

Account Group 1605

To be Completed by: COUNTY COMMISSION / COUNTY CLERK

Approved Disposal Method:

_____ Transfer Department Name _____ Number _____

Location within Department _____

Individual _____

_____ Trade _____ Auction _____ Sealed Bids

_____ Other Explain _____

Commission Order Number 245-2026

Date Approved 5/12/26

Signature 

RECEIVED

MAY 13 2026

BOONE COUNTY
AUDITOR



Ed Morse Fleet and Commercial

Scott Green | 417-955-0772 | scottgreen@edmorse.com

Boone County, MO Public Works

Prepared For: Robbie Sapp

573-881-4946

rsapp@boonecountymo.gov

Vehicle: [Fleet] 2026 Chevrolet Silverado 1500 (CK10743) 4WD Crew Cab 157" LT





Ed Morse Fleet and Commercial

Scott Green | 417-955-0772 | scottgreen@edmorse.com

Table of Contents

- Quote Worksheet
- Selected Model and Options
- Standard Equipment

This document contains information considered Confidential between GM and its Clients uniquely. The information provided is not intended for public disclosure. Prices, specifications, and availability are subject to change without notice, and do not include certain fees, taxes and charges that may be required by law or vary by manufacturer or region. Performance figures are guidelines only, and actual performance may vary. Photos may not represent actual vehicles or exact configurations. Content based on report preparer's input is subject to the accuracy of the input provided.
Data Version: 27716. Data Updated: Feb 9, 2026 6:58:00 PM PST.



Ed Morse Fleet and Commercial

Scott Green | 417-955-0772 | scottgreen@edmorse.com

Vehicle: [Fleet] 2026 Chevrolet Silverado 1500 (CK10743) 4WD Crew Cab 157" LT (✔ Complete)

Quote: New Quote

Quote Worksheet

	MSRP
Base Price	\$54,000.00
Dest Charge	\$2,795.00
Total Options	\$1,970.00
Subtotal	\$58,765.00
Dealer Doc Fee	\$399.00
Delivery - No Charge	\$0.00
Fleet / Ed Morse Incentive	(\$8,942.00)
Subtotal Pre-Tax Adjustments	(\$8,543.00)
Less Customer Discount	\$0.00
Subtotal Discount	\$0.00
Trade-In	\$0.00
Subtotal Trade-In	\$0.00
Taxable Price	\$50,222.00
Sales Tax	\$0.00
Subtotal Taxes	\$0.00
Subtotal Post-Tax Adjustments	\$0.00
Total Sales Price	\$50,222.00

Dealer Signature / Date

Customer Signature / Date

This document contains information considered Confidential between GM and its Clients uniquely. The information provided is not intended for public disclosure. Prices, specifications, and availability are subject to change without notice, and do not include certain fees, taxes and charges that may be required by law or vary by manufacturer or region. Performance figures are guidelines only, and actual performance may vary. Photos may not represent actual vehicles or exact configurations. Content based on report preparer's input is subject to the accuracy of the input provided.

Data Version: 27716. Data Updated: Feb 9, 2026 6:58:00 PM PST.



Ed Morse Fleet and Commercial

Scott Green | 417-955-0772 | scottgreen@edmorse.com

Vehicle: [Fleet] 2026 Chevrolet Silverado 1500 (CK10743) 4WD Crew Cab 157" LT (✔ Complete)

Quote: New Quote

Selected Model and Options

MODEL

CODE	MODEL
CK10743	2026 Chevrolet Silverado 1500 4WD Crew Cab 157" LT

COLORS

CODE	DESCRIPTION
G7C	Red Hot (Not available on 1SP or 2LT.)

EMISSIONS

CODE	DESCRIPTION
FE9	Emissions, Federal requirements

ENGINE

CODE	DESCRIPTION
L84	Engine, 5.3L EcoTec3 V8 (355 hp [265 kW] @ 5600 rpm, 383 lb-ft of torque [518 Nm] @ 4100 rpm); featuring available Dynamic Fuel Management that enables the engine to operate in 17 different patterns between 2 and 8 cylinders, depending on demand, to optimize power delivery and efficiency

TRANSMISSION

CODE	DESCRIPTION
MHT	Transmission, 10-speed automatic, electronically controlled with overdrive and tow/haul mode. Includes Cruise Grade Braking and Powertrain Grade Braking (Included and only available with (L84) 5.3L EcoTec3 V8 engine and (AZ3) bench seat.)

GVWR

CODE	DESCRIPTION
C5Y	GVWR, 7100 lbs. (3221 kg) (Requires Crew Cab 4WD model with (L84) 5.3L EcoTec3 V8 engine without (NHT) Max Trailing Package.)

AXLE

CODE	DESCRIPTION
GU5	Rear axle, 3.23 ratio (Included and only available with (L84) 5.3L EcoTec3 V8 engine or (LZ0) Duramax 3.0L Turbo-Diesel I6 engine.)

This document contains information considered Confidential between GM and its Clients uniquely. The information provided is not intended for public disclosure. Prices, specifications, and availability are subject to change without notice, and do not include certain fees, taxes and charges that may be required by law or vary by manufacturer or region. Performance figures are guidelines only, and actual performance may vary. Photos may not represent actual vehicles or exact configurations. Content based on report preparer's input is subject to the accuracy of the input provided.

Data Version: 27716. Data Updated: Feb 9, 2026 6:58:00 PM PST.



Ed Morse Fleet and Commercial

Scott Green | 417-955-0772 | scottgreen@edmorse.com

Vehicle: [Fleet] 2026 Chevrolet Silverado 1500 (CK10743) 4WD Crew Cab 157" LT (✔ Complete)

Quote: New Quote

PREFERRED EQUIPMENT GROUP

CODE	DESCRIPTION
1LT	LT Preferred Equipment Group includes standard equipment

WHEELS

CODE	DESCRIPTION
Q5U	Wheels, 17" x 8" (43.2 cm x 20.3 cm) Bright Silver painted aluminum (STD)

TIRES

CODE	DESCRIPTION
QDV	Tires, 265/70R17 all-terrain, blackwall

SPARE TIRE

CODE	DESCRIPTION
XCQ	Tire, spare 265/70R17SL all-season, blackwall (Included and only available with (QDV) 265/70R17 all-terrain blackwall tires, (QDF) 265/65R18SL all-season blackwall tires, (QDS) 265/65R18SL all-terrain white outline letter tires, (XCK) 265/65R18SL all-terrain blackwall tires or (R3O) LT275/65R18 Goodyear Wrangler Territory tires.)

PAINT

CODE	DESCRIPTION
G7C	Red Hot (Not available on 1SP or 2LT.)

SEAT TYPE

CODE	DESCRIPTION
AZ3	Seats, front 40/20/40 split-bench with covered armrest storage and under-seat storage (lockable) (STD)

SEAT TRIM

CODE	DESCRIPTION
H0U	Jet Black, Cloth seat trim

This document contains information considered Confidential between GM and its Clients uniquely. The information provided is not intended for public disclosure. Prices, specifications, and availability are subject to change without notice, and do not include certain fees, taxes and charges that may be required by law or vary by manufacturer or region. Performance figures are guidelines only, and actual performance may vary. Photos may not represent actual vehicles or exact configurations. Content based on report preparer's input is subject to the accuracy of the input provided.
 Data Version: 27716. Data Updated: Feb 9, 2026 6:58:00 PM PST.



Ed Morse Fleet and Commercial

Scott Green | 417-955-0772 | scottgreen@edmorse.com

Vehicle: [Fleet] 2026 Chevrolet Silverado 1500 (CK10743) 4WD Crew Cab 157" LT (Complete)

Quote: New Quote

RADIO

CODE	DESCRIPTION
IOK	Audio system, Chevrolet Infotainment 3 Premium system with Google built-in compatibility (select service plan required, terms and limitations apply) including navigation capability, 13.4" diagonal HD color touchscreen, includes multi-touch display, AM/FM stereo, Bluetooth streaming audio for music and most phones; featuring Wireless Apple CarPlay and Wireless Android Auto capability for compatible phones, advanced voice recognition, in-vehicle apps, personalized profiles for infotainment and vehicle settings (STD)

ADDITIONAL EQUIPMENT - PACKAGE

CODE	DESCRIPTION
BAQ	Work Truck Package Includes (NZZ) skid plates and (K47) heavy-duty air filter (Requires 4WD model, (QDV) 265/70R17 all-terrain, blackwall tires, (RC5) LT265/70R17C all-terrain, blackwall tires or (XCK) 265/65/R18 all-terrain, blackwall tires (Fleet only). Not available with (PDZ) Z71 Off-Road and Protection Package or (Z71) Z71 Off-Road Package.)
B59	Remote Start Package Includes (BTV) Remote Start, (UTJ) Theft-deterrent system and (C49) rear-window defogger (Standard on 1LT. Included with (PCL) Convenience Package. Available as a free flow when (RG4) Fleet LT Base Content Package Delete is ordered.)

ADDITIONAL EQUIPMENT - MECHANICAL

CODE	DESCRIPTION
KC4	Cooling, external engine oil cooler (Included and only available with V8 engines.)
KNP	Cooling, auxiliary external transmission oil cooler (Included and only available with V8 engines.)
K47	Air filter, heavy-duty (Included and only available with (BAQ) Work Truck Package, (Z71) Z71 Off-Road Package or (VYU) Snow Plow Prep Package.)
KW7	Alternator, 170 amps (Included and only available with (L84) 5.3L EcoTec3 V8 engine. Not available with (NHT) Max Trailering Package, (VYU) Snow Plow Prep Package, (LZ0) Duramax 3.0L Turbo-Diesel I6 engine or (L3B) TurboMax engine.)
NZZ	Skid Plates (Included and only available with (BAQ) Work Truck Package, (Z71) Z71 Off-Road Package or (VYU) Snow Plow Prep Package.)

ADDITIONAL EQUIPMENT - INTERIOR

CODE	DESCRIPTION
BTV	Remote vehicle starter system (Standard on 1LT. Included with (B59) Remote Start Package.)
UTJ	Theft-deterrent system, unauthorized entry (Standard on 1LT. Included with (B59) Remote Start Package.)
C49	Defogger, rear-window electric (Standard on 1LT. Available as a free flow with (RG4) Fleet LT Base Content Package Delete. Included with (B59) Remote Start Package.)

This document contains information considered Confidential between GM and its Clients uniquely. The information provided is not intended for public disclosure. Prices, specifications, and availability are subject to change without notice, and do not include certain fees, taxes and charges that may be required by law or vary by manufacturer or region. Performance figures are guidelines only, and actual performance may vary. Photos may not represent actual vehicles or exact configurations. Content based on report preparer's input is subject to the accuracy of the input provided.

Data Version: 27716. Data Updated: Feb 9, 2026 6:58:00 PM PST.



Ed Morse Fleet and Commercial

Scott Green | 417-955-0772 | scottgreen@edmorse.com

Vehicle: [Fleet] 2026 Chevrolet Silverado 1500 (CK10743) 4WD Crew Cab 157" LT (✔ Complete)

Quote: New Quote

ADDITIONAL EQUIPMENT - OTHER

CODE	DESCRIPTION
VQ2	Fleet Processing Option
Options Total	

This document contains information considered Confidential between GM and its Clients uniquely. The information provided is not intended for public disclosure. Prices, specifications, and availability are subject to change without notice, and do not include certain fees, taxes and charges that may be required by law or vary by manufacturer or region. Performance figures are guidelines only, and actual performance may vary. Photos may not represent actual vehicles or exact configurations. Content based on report preparer's input is subject to the accuracy of the input provided.
Data Version: 27716. Data Updated: Feb 9, 2026 6:58:00 PM PST.



Ed Morse Fleet and Commercial

Scott Green | 417-955-0772 | scottgreen@edmorse.com

Vehicle: [Fleet] 2026 Chevrolet Silverado 1500 (CK10743) 4WD Crew Cab 157" LT (✔ Complete)

Quote: New Quote

Standard Equipment

Package

Trailer Package includes trailer hitch, 7-pin and 4-pin connectors and (CTT) Hitch Guidance

Chevy Safety Assist includes (UHY) Automatic Emergency Braking, (UKJ) Front Pedestrian Braking, (UHX) Lane Keep Assist with Lane Departure Warning, (UE4) Following Distance Indicator, (UEU) Forward Collision Alert and (TQ5) IntelliBeam

All Star Edition (Deleted when (RG4) Fleet LT Base Content Package Delete is ordered. Dealers in the following states may order (TUF) Texas Edition badging: Arkansas, Louisiana, New Mexico, Oklahoma and Texas.)

Convenience Package includes (CJ2) dual-zone automatic climate control, (A2X) 10-way power driver seat including power lumbar, (KA1) heated driver and passenger seats, (N57) wrapped steering wheel, (KI3) heated steering wheel, (KI4) 120-volt power outlet, (KC9) 120-volt bed-mounted power outlet, (UBI) 2 charge-only USB ports for second row, (C49) rear-window defogger, (AVJ) Keyless Open and Start, (BTV) Remote Start, (UTJ) content theft alarm, (N37) Steering column, manual tilt and telescoping and (UF2) LED Cargo Area Lighting (Upgradeable to (A50) bucket seats and includes (D07) center console. Some content is deleted when (RG4) Fleet LT Base Content Package Delete is ordered. The deleted content is as follows; (CJ2) Air conditioning, (A2X) Seat adjuster, (KA1) Seating, heated driver and front outboard passenger, (KI3) Steering wheel, heated, (N37) Steering column, manual tilt and telescoping, and (UF2) LED Cargo Area Lighting.)

Mechanical

Durabed, pickup bed

Engine, TurboMax (310 hp [231 kW] @ 5600 rpm, 430 lb-ft of torque [583 Nm] @ 3000 rpm) (STD) (Not available with (Z71) Z71 Off-Road Package.)

Transmission, 8-speed automatic, electronically controlled with overdrive and tow/haul mode. Includes Cruise Grade Braking and Powertrain Grade Braking (STD) (Included and only available with (L3B) TurboMax engine. Requires (AZ3) front 40/20/40 split-bench seats.)

Rear axle, 3.42 ratio (Included with (L3B) TurboMax engine or (L84) 5.3L EcoTec3 V8 engine and (NHT) Max Trailing Package.)

GVWR, 7000 lbs. (3175 kg) (STD) (Requires Crew Cab or Double Cab 4WD model and (L3B) TurboMax engine.)

Push Button Start

Automatic Stop/Start

Transfer case, single speed electronic Autotrac with push button control (4WD models only)

Auto-locking rear differential

Four wheel drive

Battery, heavy-duty 730 cold-cranking amps/80 Amp-hr, maintenance-free with rundown protection and retained accessory power

Alternator, 220 amps (Included and only available with (L3B) TurboMax engine, (LZ0) Duramax 3.0L Turbo-Diesel I6 engine, (VYU) Snow Plow Prep Package or (NHT) Max Trailing Package.)

This document contains information considered Confidential between GM and its Clients uniquely. The information provided is not intended for public disclosure. Prices, specifications, and availability are subject to change without notice, and do not include certain fees, taxes and charges that may be required by law or vary by manufacturer or region. Performance figures are guidelines only, and actual performance may vary. Photos may not represent actual vehicles or exact configurations. Content based on report preparer's input is subject to the accuracy of the input provided.

Data Version: 27716. Data Updated: Feb 9, 2026 6:58:00 PM PST.



Ed Morse Fleet and Commercial

Scott Green | 417-955-0772 | scottgreen@edmorse.com

Vehicle: [Fleet] 2026 Chevrolet Silverado 1500 (CK10743) 4WD Crew Cab 157" LT (✔ Complete)

Quote: New Quote

Mechanical

Trailer brake controller, Integrated

Recovery hooks, front, frame-mounted, Black (Included with 4WD models only.)

Frame, fully-boxed, hydroformed front section

Suspension Package, Standard

Steering, Electric Power Steering (EPS) assist, rack-and-pinion

Brakes, 4-wheel antilock, 4-wheel disc with DURALIFE rotors

Brake lining wear indicator

Capless Fuel Fill

Exhaust, single outlet

Exterior

Wheels, 17" x 8" (43.2 cm x 20.3 cm) Bright Silver painted aluminum (STD)

Tires, 255/70R17 all-season, blackwall (STD)

Tire, spare 255/70R17 all-season, blackwall (STD) (Included with (QBN) 255/70R17 all-season, blackwall tires.)

Wheel, 17" x 8" (43.2 cm x 20.3 cm) full-size, steel spare (Standard on models built after November 25, 2024. Not available with CC10543 model when ordered with (L84) 5.3L EcoTec3 V8 engine unless also ordered with (NHT) Max Trailering Package.)

Tire carrier lock, keyed cylinder lock that utilizes same key as ignition and door

Bumper, front chrome

Bumper, rear chrome

CornerStep, rear bumper

Cargo tie downs (12), fixed rated at 500 lbs per corner

Headlamps, LED reflector with LED signature Daytime Running Lamps and Amber tracer animation

IntelliBeam, automatic high beam on/off

Lamps, cargo area, cab mounted Integrated with center high mount stop lamp, with switch in bank on left side of steering wheel (Incandescent on Regular Cab models, LED on Crew Cab and Double Cab models)

LED Cargo Area Lighting located in pickup bed, activated with switch on center switch bank or key fob (Deleted when (RG4) Fleet LT Base Content Package Delete is ordered.)

Taillamps with Incandescent tail, stop and reverse lights

Mirrors, outside heated power-adjustable (When (PQB) Safety Package is ordered, includes (U12) Perimeter Lighting.)

Mirror caps, chrome (Not available with (DPO) trailering mirrors.)

This document contains information considered Confidential between GM and its Clients uniquely. The information provided is not intended for public disclosure. Prices, specifications, and availability are subject to change without notice, and do not include certain fees, taxes and charges that may be required by law or vary by manufacturer or region. Performance figures are guidelines only, and actual performance may vary. Photos may not represent actual vehicles or exact configurations. Content based on report preparer's input is subject to the accuracy of the input provided.

Data Version: 27716, Data Updated: Feb 9, 2026 6:58:00 PM PST.



Ed Morse Fleet and Commercial

Scott Green | 417-955-0772 | scottgreen@edmorse.com

Vehicle: [Fleet] 2026 Chevrolet Silverado 1500 (CK10743) 4WD Crew Cab 157" LT (✔ Complete)

Quote: New Quote

Exterior

Glass, deep-tinted

Door handles, body-color

Tailgate and bed rail protection cap, top

Tailgate, standard

Tailgate, gate function manual with EZ Lift includes power lock and release

Entertainment

Audio system, Chevrolet Infotainment 3 Premium system with Google built-in compatibility (select service plan required, terms and limitations apply) including navigation capability, 13.4" diagonal HD color touchscreen, includes multi-touch display, AM/FM stereo, Bluetooth streaming audio for music and most phones; featuring Wireless Apple CarPlay and Wireless Android Auto capability for compatible phones, advanced voice recognition, in-vehicle apps, personalized profiles for infotainment and vehicle settings (STD)

SiriusXM Trial Subscription

SiriusXM with 360L Trial Subscription. SiriusXM with 360L transforms your customers' ride with our most extensive and personalized radio experience on the road. (IMPORTANT: The SiriusXM trial subscription is not provided on vehicles that are ordered for Fleet Daily Rental ("FDR") use. Trial subscription is subject to the SiriusXM Customer Agreement and privacy policy, visit siriusxm.com which includes full terms and how to cancel. All fees, content, features, and availability are subject to change. Some features require GM connected vehicle services.)

Audio system feature, 6-speaker system

Wireless phone projection for Apple CarPlay and Android Auto

Bluetooth for phone, connectivity to vehicle infotainment system

Wi-Fi Hotspot capable (Terms and limitations apply. See onstar.com or dealer for details.)

Interior

Seats, front 40/20/40 split-bench with covered armrest storage and under-seat storage (lockable) (STD)

Remote Start Package includes (BTV) Remote Start, (UTJ) content theft alarm and (C49) rear-window defogger (Included with (PCL) Convenience Package. Available as a free flow when (RG4) Fleet LT Base Content Package Delete is ordered.)

Seat trim, Cloth

Seat adjuster, driver 10-way power including lumbar (Deleted when (RG4) Fleet LT Base Content Package Delete is ordered.)

Seat adjuster, passenger 4-way manual

Seating, heated driver and front outboard passenger (Deleted when (RG4) Fleet LT Base Content Package Delete is ordered.)

Seat, rear 60/40 folding bench (folds up), 3-passenger (Includes child seat top tether anchor)

This document contains information considered Confidential between GM and its Clients uniquely. The information provided is not intended for public disclosure. Prices, specifications, and availability are subject to change without notice, and do not include certain fees, taxes and charges that may be required by law or vary by manufacturer or region. Performance figures are guidelines only, and actual performance may vary. Photos may not represent actual vehicles or exact configurations. Content based on report preparer's input is subject to the accuracy of the input provided.

Data Version: 27716. Data Updated: Feb 9, 2026 6:58:00 PM PST.



Ed Morse Fleet and Commercial

Scott Green | 417-955-0772 | scottgreen@edmorse.com

Vehicle: [Fleet] 2026 Chevrolet Silverado 1500 (CK10743) 4WD Crew Cab 157" LT (✔ Complete)

Quote: New Quote

Interior

Floor covering, color-keyed carpeting

Floor mats, rubberized vinyl, front (Deleted when LPO floor liners are ordered.)

Floor mats, rubberized-vinyl rear (Deleted when LPO floor liners are ordered.)

Steering wheel, wrapped

Steering wheel, heated (Deleted when (RG4) Fleet LT Base Content Package Delete is ordered.)

Steering wheel audio controls

Steering column, manual tilt and telescoping (Deleted when (RG4) Fleet LT Base Content Package Delete is ordered.)

Steering column lock, electrical

Driver Information Center, enhanced, 12.3" diagonal reconfigurable multicolor digital display

Exterior Temperature Display located in radio display

Compass located in instrument cluster

Window, power front, drivers express up/down

Window, power front, passenger express down

Windows, power rear, express down

Door locks, power

Remote vehicle starter system

Keyless Open and Start

Cruise control, electronic with set and resume speed, steering wheel-mounted

Theft-deterrent system, unauthorized entry

Power outlet, interior power outlet, 120-volt (400 watts shared with (KC9) bed mounted power outlet)

USB Ports, 2, Charge/Data ports located on instrument panel

USB ports, rear, dual, charge-only

Power outlet, bed mounted, 120-volt (400 watts shared with (K14) interior power outlet)

Air conditioning, dual-zone automatic climate control (Deleted when (RG4) Fleet LT Base Content Package Delete is ordered and replaced with (C67) single-zone manual air conditioning.)

Air vents, rear, heating/cooling

Defogger, rear-window electric

Mirror, inside rearview, manual tilt

Assist handles front A-pillar mounted for driver and passenger, rear B-pillar mounted

This document contains information considered Confidential between GM and its Clients uniquely. The information provided is not intended for public disclosure. Prices, specifications, and availability are subject to change without notice, and do not include certain fees, taxes and charges that may be required by law or vary by manufacturer or region. Performance figures are guidelines only, and actual performance may vary. Photos may not represent actual vehicles or exact configurations. Content based on report preparer's input is subject to the accuracy of the input provided.

Data Version: 27716, Data Updated: Feb 9, 2026 6:58:00 PM PST.



Ed Morse Fleet and Commercial

Scott Green | 417-955-0772 | scottgreen@edmorse.com

Vehicle: [Fleet] 2026 Chevrolet Silverado 1500 (CK10743) 4WD Crew Cab 157" LT (✔ Complete)

Quote: New Quote

Safety-Mechanical

Automatic Emergency Braking

Front Pedestrian Braking

StabilTrak, stability control system with Proactive Roll Avoidance and traction control, includes electronic trailer sway control and hill start assist

Safety-Exterior

Daytime Running Lamps with automatic exterior lamp control

Safety-Interior

Airbags, Dual-stage frontal airbags for driver and front outboard passenger; Seat-mounted side-impact airbags for driver and front outboard passenger; Head-curtain airbags for front and rear outboard seating positions; Includes front outboard Passenger Sensing System for frontal outboard passenger airbag (Always use seat belts and child restraints. Children are safer when properly secured in a rear seat in the appropriate child restraint. See the Owner's Manual for more information.)

OnStar services capable (See onstar.com for details and limitations. Services vary by model. Service plan required.)

OnStar Basics (OnStar Fleet Basics for Fleet) Drive confidently with core OnStar services including remote commands, built-in voice assistance, real-time traffic and navigation, and Automatic Crash Response to help if you're in need. (Requires UE1) OnStar. OnStar Basics includes remote commands, Navigation, Voice Assistance, and Automatic Crash Response, for eligible vehicles with compatible software. OnStar Basics is standard for 8 years; OnStar plan, working electrical system, cell reception and GPS signal required. OnStar links to emergency services. Service coverage varies with conditions and location. Service availability, features and functionality vary by device and software version. See onstar.com for details and limitations.)

HD Rear Vision Camera

Hitch Guidance dynamic single line to aid in trailer alignment for hitching

Lane Keep Assist with Lane Departure Warning

Following Distance Indicator

Forward Collision Alert

Rear Seat Reminder

Rear Seat Belt Indicator

Teen Driver a configurable feature that lets you activate customizable vehicle settings associated with a key fob, to help encourage safe driving behavior. It can limit certain available vehicle features, and it prevents certain safety systems from being turned off. An in-vehicle report card gives you information on driving habits and helps you to continue to coach your new driver

Buckle to Drive prevents vehicle from being shifted out of Park until driver seat belt is fastened; times out after 20 seconds and encourages seat belt use, can be turned on and off in Settings menu

Tire Pressure Monitoring System, auto learn includes Tire Fill Alert (does not apply to spare tire)

This document contains information considered Confidential between GM and its Clients uniquely. The information provided is not intended for public disclosure. Prices, specifications, and availability are subject to change without notice, and do not include certain fees, taxes and charges that may be required by law or vary by manufacturer or region. Performance figures are guidelines only, and actual performance may vary. Photos may not represent actual vehicles or exact configurations. Content based on report preparer's input is subject to the accuracy of the input provided.

Data Version: 27716. Data Updated: Feb 9, 2026 6:58:00 PM PST.



Ed Morse Fleet and Commercial

Scott Green | 417-955-0772 | scottgreen@edmorse.com

Vehicle: [Fleet] 2026 Chevrolet Silverado 1500 (CK10743) 4WD Crew Cab 157" LT (✔ Complete)

Quote: New Quote

WARRANTY

Warranty Note: <<< Preliminary 2026 Warranty >>>

Basic Years: 3

Basic Miles/km: 36,000

Drivetrain Years: 5

Drivetrain Miles/km: 60,000

Drivetrain Note: Silverado TurboMaxTM engines, 3.0L & 6.0L Duramax® Turbo-Diesel engines, and certain commercial, government, and qualified fleet vehicles: 5 years/100,000 miles

Corrosion Years (Rust-Through): 6

Corrosion Years: 3

Corrosion Miles/km (Rust-Through): 100,000

Corrosion Miles/km: 36,000

Roadside Assistance Years: 5

Roadside Assistance Miles/km: 60,000

Roadside Assistance Note: Silverado TurboMaxTM engines, 3.0L & 6.0L Duramax® Turbo-Diesel engines, and certain commercial, government, and qualified fleet vehicles: 5 years/100,000 miles

Maintenance Note: First Visit: 12 Months/12,000 Miles

This document contains information considered Confidential between GM and its Clients uniquely. The information provided is not intended for public disclosure. Prices, specifications, and availability are subject to change without notice, and do not include certain fees, taxes and charges that may be required by law or vary by manufacturer or region. Performance figures are guidelines only, and actual performance may vary. Photos may not represent actual vehicles or exact configurations. Content based on report preparer's input is subject to the accuracy of the input provided.
Data Version: 27716. Data Updated: Feb 9, 2026 6:58:00 PM PST.

[MY ACCOUNT](#)

[HOME](#)

[SEARCH](#)

[MISC INFO](#)

[UCC FILING](#)

[Help](#)

Limited Liability Company Details as of 4/30/2026

Required Field *

To File Documents - select the filing from the "Create Filing" list, then click FILE ONLINE.

To terminate an entity two documents are required:

General Business and Nonprofit - Articles of Dissolution followed by Articles of Termination

Limited Liability Companies - Notice of Winding up followed by Articles of Termination

File Registration Reports - click FILE REGISTRATION REPORT.

Copies or Certificates - click ORDER COPIES/CERTIFICATES.

[RETURN TO
SEARCH RESULTS](#)

Create Filing

[FILE
ONLINE](#)

Amendment to Articles of Organization

[ORDER COPIES/
CERTIFICATES](#)

General Information	Filings	Principal Office Address		
	Name(s)	EMAG Lebanon CH LLC	Principal Office Address	2850 S FEDERAL HIGHWAY DELRAY BEACH, FL 33483
	Type	Limited Liability Company	Charter No.	LC1750448
	Domesticity	Domestic	Home State	
	Registered Agent	<u>C T CORPORATION SYSTEM</u> 5661 Telegraph Rd Ste 4B Saint Louis, MO 63129-4275	Status	Active
	Date Formed	12/22/2020		
	Duration	Perpetual		

The information contained on this page is provided as a public service, and may change at any time. The State, its employees, contractors, subcontractors or their employees do not make any warranty, expressed or implied, or assume any legal liability for the accuracy, completeness or usefulness of any information, apparatus, product or process disclosed or represent that its use would not infringe on privately-owned rights.



Subcontracting Plan Reporting Contract Retrieval Issue Show Details
Apr 17, 2026



See All Alerts

Contract Awards Scheduled Maintenance Show Details
Apr 27, 2026



[Home](#) [Search](#) [Data Bank](#) [Data Services](#) [Help](#)

Search

All Words e.g. 1606N020Q02

Filter By

Keyword Search

For more information on how to use our keyword search, visit our help guide

Simple Search

Search Editor

- Any Words
- All Words
- Exact Phrase

e.g. 123456789, Smith Corp

"EMAG Lebanon CH LLC"

Classification

Excluded Individual

Excluded Entity

Federal Organizations

Exclusion Type

Exclusion Program

Location

Dates

Reset



No matches found

We couldn't find a match for your search criteria.

Please try another search or go back to previous results.

[Go Back](#)

Our Website

[About This Site](#)

[Our Community](#)

[Release Notes](#)

[System Alerts](#)

Policies

[Terms of Use](#)

[Privacy Policy](#)

[Restricted Data Use](#)

[Freedom of Information Act](#)

[Accessibility](#)

Our Partners

[Acquisition.gov](#)

[USASpending.gov](#)

[Grants.gov](#)

[More Partners](#)

Customer Service

[Help](#)

[Check Entity Status](#)

[Federal Service Desk](#)

[External Resources](#)

[Contact](#)



WARNING

This is a U.S. General Services Administration Federal Government computer system that is **"FOR OFFICIAL USE ONLY!"** This system is subject to monitoring. Individuals found performing unauthorized activities are subject to disciplinary action including criminal prosecution.

This system contains Controlled Unclassified Information (CUI). All individuals viewing, reproducing or disposing of this information are required to protect it in accordance with 32 CFR Part 2002 and GSA Order CIO 2103.2 CUI Policy.

SAM.gov

An official website of the U.S. General Services Administration

CERTIFIED COPY OF ORDER

STATE OF MISSOURI

} ea.

May Session of the January Adjourned

Term. 20 26

County of Boone

In the County Commission of said county, on the 12th day of May 20 26

the following, among other proceedings, were had, viz:

Now, on this day, the County Commission of the County of Boone does hereby approve Amendment #5 to Contract C000888 (CT170457009 with Carahsoft Technology Corporation for the purchase of additional Magnet Forensics Griffeye and LACE Carver subscriptions. The terms of the agreement are set out in the attached contract, and the Presiding Commissioner is authorized to sign the same.

Done this 12th day of May 2026.

ATTEST:

Brianna L. Lennon *SEO*
Brianna L. Lennon
Clerk of the County Commission

Kip Kendrick
Kip Kendrick
Presiding Commissioner

Justin Aldred
Justin Aldred
District I Commissioner

Janet M. Thompson
Janet M. Thompson
District II Commissioner

Boone County Purchasing

Amy Gerskin
Senior Buyer



5551 S. Tom Bass Rd.
Room 205
Columbia, MO 65201
Phone: (573) 886-4393
agerskin@boonemo.gov

May 4, 2026

TO: Boone County Commission
FROM: Amy Gerskin, Senior Buyer
RE: Amendment #5 to Contract C000888 from cooperative contract
CT170457009 for NASPO Cloud Solutions with Carahsoft
Technology Corporation

Purchasing requests approval for Amendment #5 to contract C000888 awarded from cooperative contract CT170457009 for NASPO Cloud Solutions for the addition of three (3) Magnet Forensics Griffeye and two (2) LACE Carver software licenses from Carahsoft Technology Corporation for the Boone County Sheriff's Office. The original contract was established December 10, 2024, through Commission Order 601-2024.

Payment will reference this coding:

- 1253 – General Fund Sheriff Grants/70100 – Software Subscriptions: \$7,931.62.

c: Sheriff's Office – Leasa Quick
Contract File

PRICE QUOTATION

CARASOFT TECHNOLOGY CORP

11493 SUNSET HILLS ROAD | SUITE 100 | RESTON, VIRGINIA 20190
PHONE (703) 871-8585 | FAX (703) 871-8505
WWW.CARASOFT.COM | SALES@CARASOFT.COM



carahsoft.

TO: Britt Shea
Lieutenant
Boone County Sheriff's Office
2121 County Drive
Columbia, MO 65202

FROM: Carlssa Vera
Carahsoft Technology Corp.
11493 Sunset Hills Road
Suite 100
Reston, Virginia 20190

EMAIL: bshea@boonemo.gov

EMAIL: Carlssa.Vera@carahsoft.com

PHONE: (573) 228-4021

PHONE: (703) 889-9881

TERMS: Contract Number: CT170457009
NASPO Master Contract Number: AR2472
Contract Term: 04/21/2018-09/10/2026
Shipping Point: FOB Destination
Credit Cards: VISA/MasterCard/AMEX
Remit To: Same as Above
Payment Terms: Net 30 (On Approved Credit)
Sales Tax May Apply

QUOTE NO: 61572119
QUOTE DATE: 02/26/2026
QUOTE EXPIRES: 03/22/2026
RFQ NO:
SHIPPING: ESD
TOTAL PRICE: \$7,931.62
TOTAL QUOTE: \$7,931.62

LINE NO.	PART NO.	DESCRIPTION	LIST PRICE	QUOTE PRICE	QTY	EXTENDED PRICE
3	GRAS-01551	Magnet Griffeye Advanced Machine License Magnet Forensics USA, Inc - GRAS-01551	\$2,495.00	\$2,432.63	COOP 2	\$4,865.26
4	GRAS-04084	LACE Carver Magnet Forensics USA, Inc - GRAS-04084	\$325.00	\$316.87	COOP 2	\$633.74
5	GRAS-01551	Magnet Griffeye Advanced Machine License Magnet Forensics USA, Inc - GRAS-01551	\$2,495.00	\$2,432.62	COOP 1	\$2,432.62
SUBTOTAL:						\$7,931.62
TOTAL PRICE:						\$7,931.62
TOTAL QUOTE:						\$7,931.62

* SMS Unit Price based on a 12 Month Term

addition of (2) GE Adv Machine with LC & (1) GE Adv Machine only

**CONTRACT AMENDMENT NUMBER FIVE
FOR
NASPO CLOUD SOLUTIONS**

The Agreement, **C000888, from Cooperative CT170457009**, dated the 16th day of July 2020, made by and between Boone County, Missouri and **Carahsoft Technology** for and in consideration of the performance of the respective obligations of the parties set forth herein, is amended as follows:

- ADD: Amendment Five, Attachment One** for the addition of Magnet Forensics USA, Inc. Magnet Griffeye Advanced Machine Licenses and LACE Carver Licenses:

Produce Description	Quantity	Coverage Dates	Firm Price Per Each License/Dongle	Extended Price - Total
Magnet Griffeye Advanced Machine License Magnet Forensics USA, Inc. (GRAS-01551)	2	<u>Start Date:</u> Date of Award <u>End Date:</u> One Year	\$2,432.62	\$4,865.26
Magnet Griffeye Advanced Machine License Magnet Forensics USA, Inc. (GRAS-01551)	1	<u>Start Date:</u> Date of Award <u>End Date:</u> One Year	2432.63	\$2432.63
LACE Carver License Magnet Forensics, USA, Inc. (GRAS-04084)	2	<u>Start Date:</u> Date of Award <u>End Date:</u> One Year	\$316.87	\$633.74
TOTAL:				\$7,931.62

- All other terms, conditions, and pricing of the original contract as amended by previous amendment shall remain the same and apply hereto.

IN WITNESS WHEREOF the parties, through their duly authorized representatives, have executed this agreement on the day and year first above written.

CARAHSOFT TECHNOLOGY

Signed by:
By: Sean Hiebert
7CED28EA532D4D6...

Title: Partner Alliance Manager

BOONE COUNTY, MISSOURI

By: Boone County Commission

Signed by:
Kip Kendrick
2B83ECCDD7F6E4A6...

Presiding Commissioner

APPROVED AS TO FORM:

DocuSigned by:
J. Johnson
7D71DEAEB9D74DD...

County Counselor

ATTEST:

Signed by:
Brianna L. Lennon
242B827B32F14BF...

County Clerk

AUDITOR CERTIFICATION: In accordance with §RSMo 50.660, I hereby certify that a sufficient unencumbered appropriation balance exists and is available to satisfy the obligation(s) arising from this contract. (Note: Certification of this contract is not required if the terms of this contract do not create a measurable county obligation at this time.)

DocuSigned by: <i>Kyle Rieman by Axi</i> 8E8FE1148A274E1...	5/5/2026	1253 / 70100: \$7,931.62
Signature	Date	Appropriation Account

PRICE QUOTATION

CARAHSOFT TECHNOLOGY CORP



11493 SUNSET HILLS ROAD | SUITE 100 | RESTON, VIRGINIA 20190
 PHONE (703) 871-8585 | FAX (703) 871-8505
 WWW.CARAHSOFT.COM | SALES@CARAHSOFT.COM



TO: Britt Shea
 Lieutenant
 Boone County Sheriff's Office
 2121 County Drive
 Columbia, MO 65202

FROM: Carissa Vera
 Carahsoft Technology Corp.
 11493 Sunset Hills Road
 Suite 100
 Reston, Virginia 20190

EMAIL: bshea@boonemo.gov

EMAIL: Carissa.Vera@carahsoft.com

PHONE: (573) 228-4021

PHONE: (703) 889-9881

TERMS: Contract Number: CT170457009
 NASPO Master Contract Number: AR2472
 Contract Term: 04/21/2018-09/10/2026
 Shipping Point: FOB Destination
 Credit Cards: VISA/MasterCard/AMEX
 Remit To: Same as Above
 Payment Terms: Net 30 (On Approved Credit)
 Sales Tax May Apply

QUOTE NO:	61572119
QUOTE DATE:	02/26/2026
QUOTE EXPIRES:	03/22/2026
RFQ NO:	
SHIPPING:	ESD
TOTAL PRICE:	\$7,931.62
TOTAL QUOTE:	\$7,931.62

LINE NO.	PART NO.	DESCRIPTION	LIST PRICE	QUOTE PRICE	QTY	EXTENDED PRICE
3	GRAS-01551	Magnet Griffeye Advanced Machine License Magnet Forensics USA, Inc - GRAS-01551	\$2,495.00	\$2,432.63	COOP 2	\$4,865.26
4	GRAS-04084	LACE Carver Magnet Forensics USA, Inc - GRAS-04084	\$325.00	\$316.87	COOP 2	\$633.74
5	GRAS-01551	Magnet Griffeye Advanced Machine License Magnet Forensics USA, Inc - GRAS-01551	\$2,495.00	\$2,432.62	COOP 1	\$2,432.62
SUBTOTAL:						\$7,931.62
TOTAL PRICE:						\$7,931.62
TOTAL QUOTE:						\$7,931.62

* SMS Unit Price based on a 12 Month Term

addition of (2) GE Adv Machine with LC & (1) GE Adv Machine only